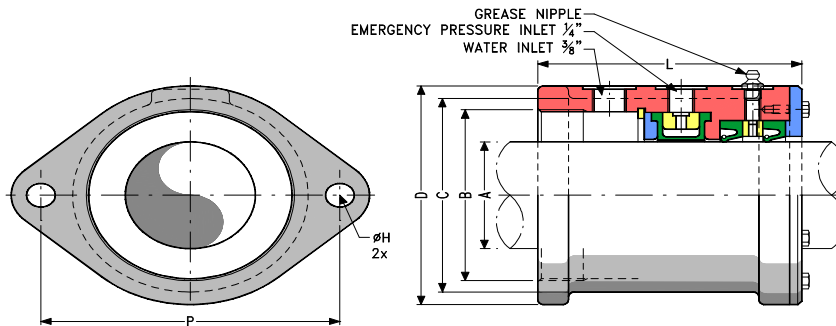




POSEIDON Propeller Shaft Seal

Solid Cast Quality - Modern Drip-less Features

The Poseidon Shaft Seal offers the same quality and features of the Pegasus “Big Boat” Seals but in sizes from 1.25” – 3.00”. A solid cast bronze housing and two long lived reinforced rubber lips seals provide fail safe security by eliminating fragile rubber bellows and hose clamp arrangements. The Poseidon Shaft Seal also features a standby seal which allows the seal to be serviced in water without having to dock the vessel. An optional buffer ring bearing takes the free weight of the propeller shaft off from the seal.

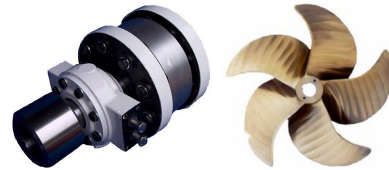


| A | B | C | D | L | P | H |
|------|-----------|-------------------|-------------------|-------------------|-------|----------|
| 1.25 | BSP 2.75" | 3.543 (90 mm) | 3.937 (100 mm) | 5.118 (130 mm) | 4.750 | 1/2" UNC |
| 1.50 | BSP 2.75" | 3.543 (90 mm) | 3.937 (100 mm) | 5.118 (130 mm) | 4.750 | 1/2" UNC |
| 1.75 | BSP 3.5" | 3.937 (100 mm) | 4.527 (115 mm) | 5.118 (130 mm) | 5.125 | 1/2" UNC |
| 2.00 | BSP 3.5" | 3.937 (100 mm) | 4.527 (115 mm) | 5.118 (130 mm) | 5.125 | 1/2" UNC |
| 2.25 | BSP 4.0" | 4.527 (115 mm) | 4.921 (125 mm) | 5.118 (130 mm) | 5.750 | 1/2" UNC |
| 2.50 | BSP 4.0" | 4.527 (115 mm) | 4.921 (125 mm) | 5.118 (130 mm) | 5.750 | 1/2" UNC |
| 2.75 | BSP 4.5" | 5.118 (130 mm) | 5.709 (145 mm) | 5.315 (135 mm) | 6.500 | 3/4" UNC |
| 3.00 | BSP 4.5" | 5.118 (130 mm) | 5.709 (145 mm) | 5.315 (135 mm) | 6.500 | 3/4" UNC |

All sizes are in inches, unless mentioned otherwise

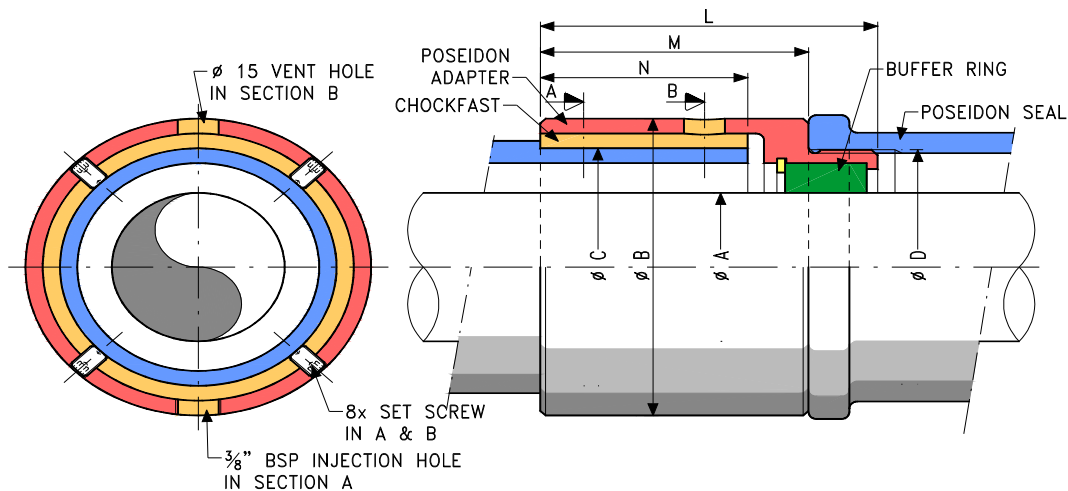
©2009 Donovan Marine, Inc. All Rights Reserved.

Product specifications and other information have either been provided by our Vendors or collected from publicly available sources. While Donovan Marine, Inc. makes every effort to ensure that the information contained in this document is accurate, we can make no representations or warranties as to the accuracy or reliability of any information provided. Donovan Marine, Inc. makes no warranties or representations whatsoever with regard to any product provided or offered by any Vendor, and you acknowledge that any reliance on representations and warranties provided by any Vendor shall be at your own risk.



POSEIDON Shaft Seal – Stern Tube Adapter

Stern tube misalignment can be accommodated without suffering the danger of rubber bellows and non-supported shafts passing through the seal. The stern tube adapter is used to provide an accurate fixed threaded position for installation of Poseidon Shaft Seals on any GRP or metal stern tube. Exact alignment is made with 4 Allen set-screws and then permanently fixed in position with chocking epoxy.



| A | B | C | | D | L | M | N |
|----------|----------|------------|------------|----------|----------|----------|----------|
| | | <i>min</i> | <i>max</i> | | | | |
| 1.25" | 4.00" | 2.00" | 3.00" | 2.5" BSP | 5.00" | 4.00" | 3.00" |
| 1.50" | 4.00" | 2.00" | 3.00" | 2.5" BSP | 5.00" | 4.00" | 3.00" |
| 1.75" | 4.50" | 2.50" | 3.50" | 3.0" BSP | 5.00" | 4.00" | 3.00" |
| 2.00" | 4.50" | 2.50" | 3.50" | 3.0" BSP | 5.00" | 4.00" | 3.00" |
| 2.25" | 5.00" | 3.00" | 4.00" | 3.5" BSP | 5.00" | 4.00" | 3.00" |
| 2.50" | 5.00" | 3.00" | 4.00" | 3.5" BSP | 5.00" | 4.00" | 3.00" |
| 2.75" | 5.50" | 3.50" | 4.50" | 4.0" BSP | 5.00" | 4.00" | 3.00" |
| 3.00" | 5.50" | 3.50" | 4.50" | 4.0" BSP | 5.00" | 4.00" | 3.00" |

All sizes in inches.

©2009 Donovan Marine, Inc. All Rights Reserved.

Product specifications and other information have either been provided by our Vendors or collected from publicly available sources. While Donovan Marine, Inc. makes every effort to ensure that the information contained in this document is accurate, we can make no representations or warranties as to the accuracy or reliability of any information provided. Donovan Marine, Inc. makes no warranties or representations whatsoever with regard to any product provided or offered by any Vendor, and you acknowledge that any reliance on representations and warranties provided by any Vendor shall be at your own risk.