



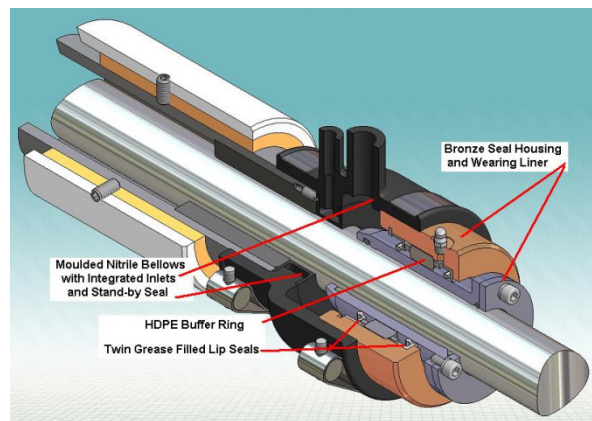
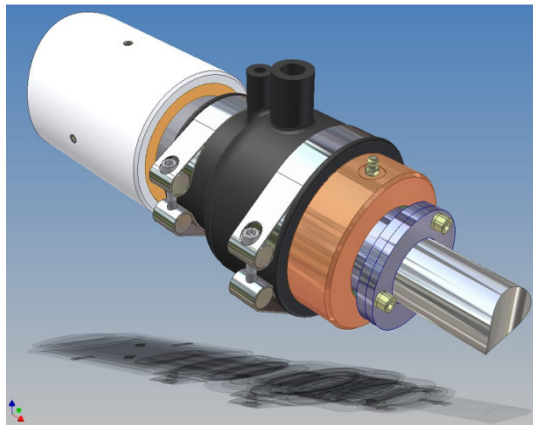
## Poseidon Flexible-Seal

Solid Bronze Housing and Wearing Liner  
Drip-less Twin Lip Seals with Stand-By Seal.



- Nominal 5000 hrs lifespan !
- Sizes to fit 1" to 3" diameter shafts.
- Bronze wearing liner puts no wear on propeller shaft.
- Allows movement up to 2mm radial, +/- 10mm longitudinal.
- 316 Stainless Mounting Clamps and Water Inlet Ball Valve .
- Small compact size takes little space. Fits direct to stern tube.
- Nitrile Rubber Flexible Bellows with moulded inlets for water injection and stand-by seal.
- Integral stand-by seal allows in-water service and seal service without docking the vessel.
- Twin Grease filled lip seals contain 316 Stainless Steel roller bearing for true running support.

The Poseidon Flexible Seal brings together the best features of our Pegasus "Big-Boat" Shaft Seals with Flexible, Self-Aligning Installation. Finally, a true "Go-To-Sea" Flexible Seal System !!

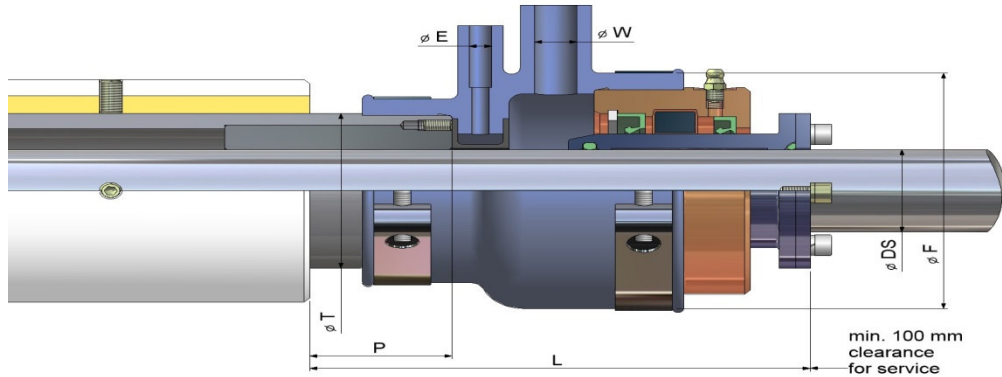


©2009 Donovan Marine, Inc. All Rights Reserved.

*Product specifications and other information have either been provided by our Vendors or collected from publicly available sources. While Donovan Marine, Inc. makes every effort to ensure that the information contained in this document is accurate, we can make no representations or warranties as to the accuracy or reliability of any information provided. Donovan Marine, Inc. makes no warranties or representations whatsoever with regard to any product provided or offered by any Vendor, and you acknowledge that any reliance on representations and warranties provided by any Vendor shall be at your own risk.*



## Poseidon Flexible-Seal



### IMPERIAL SIZES

SHAFT SIZE	TUBE DIA	EXTENSION	SEAL LENGTH	SEAL DIA	WATER INLET	STANDBY INLET
$\varnothing DS$	$\varnothing T$	P	L	$\varnothing F$	$\varnothing W$	$\varnothing E$
1.25"	56.0	50.0	176.0	96.0	15.0	8.0
1.50"	75.0	50.0	176.0	114.0	15.0	8.0
1.75"	80.0	50.0	176.0	114.0	15.0	8.0
2.00"	80.0	50.0	176.0	114.0	15.0	8.0
2.25"	100.0	50.0	192.0	127.0	20.0	8.0
2.50"	100.0	50.0	192.0	127.0	20.0	8.0
2.75"	106.0	50.0	192.0	139.0	20.0	8.0
3.00"	118.0	50.0	192.0	152.0	20.0	8.0

### METRIC SIZES

SHAFT SIZE	TUBE DIA	EXTENSION	SEAL LENGTH	SEAL DIA	WATER INLET	STANDBY INLET
$\varnothing DS$	$\varnothing T$	P	L	$\varnothing F$	$\varnothing W$	$\varnothing E$
30.0	56.0	50.0	176.0	96.0	15.0	8.0
40.0	75.0	50.0	176.0	114.0	15.0	8.0
50.0	80.0	50.0	176.0	114.0	15.0	8.0
60.0	100.0	50.0	192.0	127.0	20.0	8.0
70.0	106.0	50.0	192.0	139.0	20.0	8.0
80.0	118.0	50.0	192.0	152.0	20.0	8.0

©2009 Donovan Marine, Inc. All Rights Reserved.

Product specifications and other information have either been provided by our Vendors or collected from publicly available sources. While Donovan Marine, Inc. makes every effort to ensure that the information contained in this document is accurate, we can make no representations or warranties as to the accuracy or reliability of any information provided. Donovan Marine, Inc. makes no warranties or representations whatsoever with regard to any product provided or offered by any Vendor, and you acknowledge that any reliance on representations and warranties provided by any Vendor shall be at your own risk.