



**DRIVELINE EQUIPMENT and PROPELLERS**

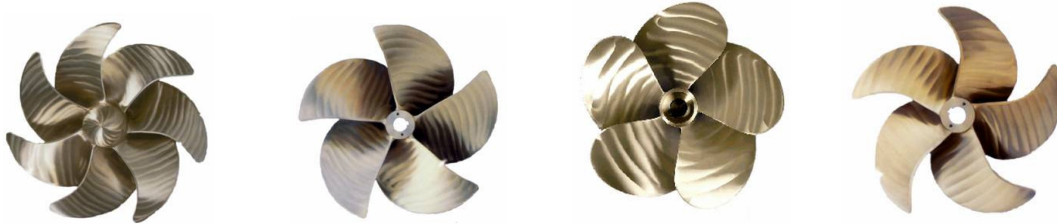
**POSEIDON Pegasus Custom Series Propellers and Brackets**



Only a handful of companies in the world can design and manufacture customized propellers. Poseidon Pegasus Series Propellers are produced using design criteria and manufacturing parameters that assure the propeller will operate in the best possible circumstances. Working with acoustic engineers like Van Cappellen Consultancy, Poseidon's approach achieves the lowest noise and vibration levels and highest efficiency. Special features and design innovations make Poseidon the best choice for custom "Silent" propellers.

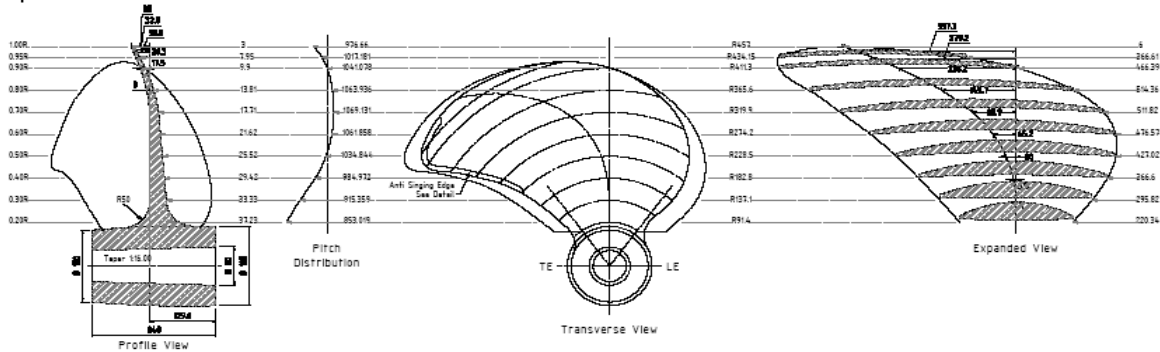
**Poseidon Pegasus Custom Series**

**Propellers** provide the best value and quality in terms of design and construction. Low noise and vibration is achieved through optimum hub and blade shape. Number of blades, skew and pitch distribution.



All propeller selection requires, at least, to know the Type of vessel, Length on the waterline, Displacement at design point, Speed at design point, Engine details, Gearbox details. In order to optimize the design and achieve maximum efficiency and noise reduction, Poseidon welcomes the following additional data:

- The vessels lines plan
- Resistance data
- Speed and performance criteria.
- Experience data from similar vessels





## **POSEIDON Propellers**

**Poseidon** offers a lifetime of experienced design and acoustic performance considerations, together with high tolerance casting and machining.

**The Poseidon Orion Series** offers a standard of high quality to all production and custom projects.

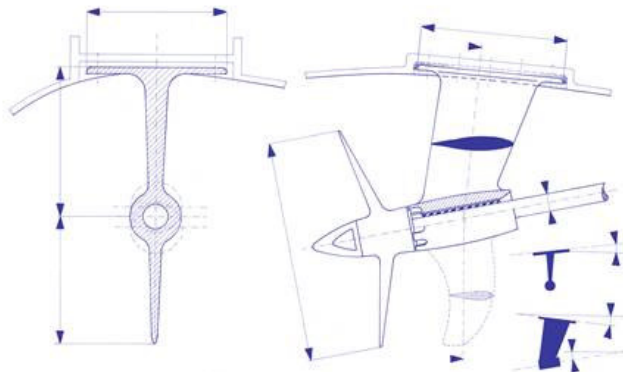


**POSEIDON**  
Propulsion design & Engineering B.V.



### **Pegasus Custom Brackets**

Poseidon PEGASUS P-brackets are designed to the requirements of the classification societies. These brackets are customized to suit the application and the vessel construction. A rope guard is standard integrated in the bracket hub construction. The material used to cast these brackets is standard nickel aluminum bronze.



©2009 Donovan Marine, Inc. All Rights Reserved.

*Product specifications and other information have either been provided by our Vendors or collected from publicly available sources. While Donovan Marine, Inc. makes every effort to ensure that the information contained in this document is accurate, we can make no representations or warranties as to the accuracy or reliability of any information provided. Donovan Marine, Inc. makes no warranties or representations whatsoever with regard to any product provided or offered by any Vendor, and you acknowledge that any reliance on representations and warranties provided by any Vendor shall be at your own risk.*