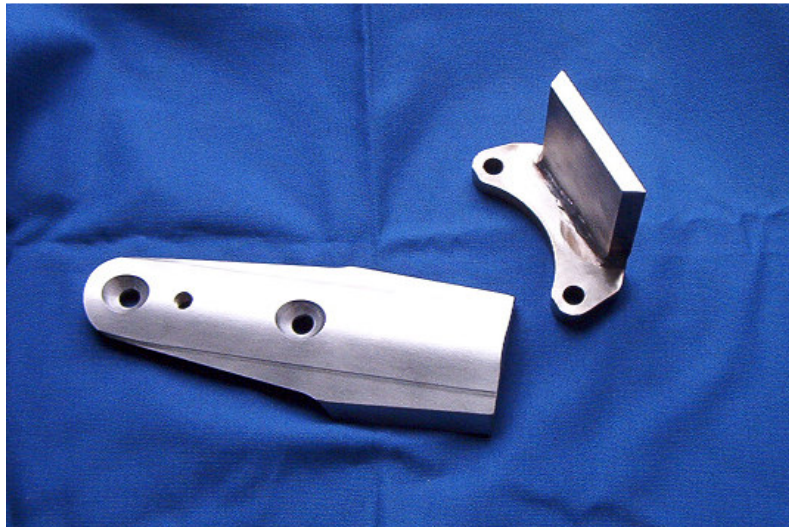




Pegasus Line Cutters

Unique, Quiet Running, Low Profile Design
Keeps line and nets from fouling prop hub and shaft
without prop burning turbulence



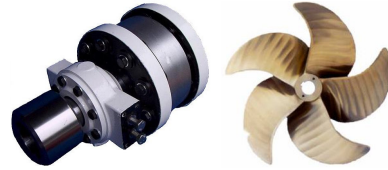
Highly Polished, Welded Stainless Steel Construction.

Cutting Edges Hardened to HRC >45

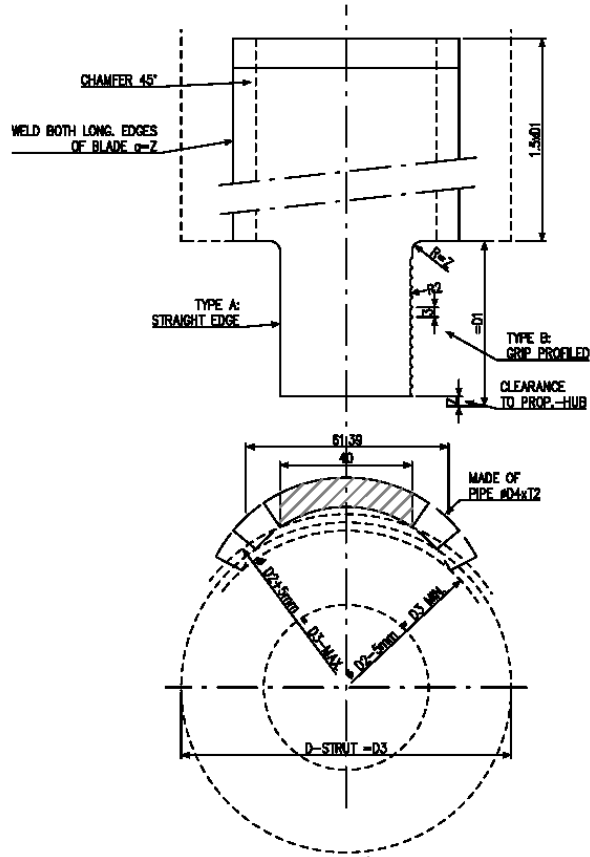
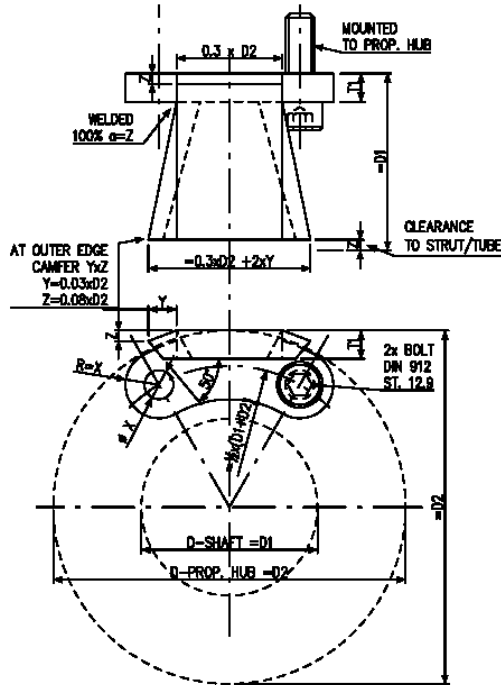
Available for all Propeller Sizes – Shaft Dia: 1.25” – 6”

©2009 Donovan Marine, Inc. All Rights Reserved.

Product specifications and other information have either been provided by our Vendors or collected from publicly available sources. While Donovan Marine, Inc. makes every effort to ensure that the information contained in this document is accurate, we can make no representations or warranties as to the accuracy or reliability of any information provided. Donovan Marine, Inc. makes no warranties or representations whatsoever with regard to any product provided or offered by any Vendor, and you acknowledge that any reliance on representations and warranties provided by any Vendor shall be at your own risk.



Pegasus Line Cutters



Shaft Diameter	
1.25" – 1.75"	
1.75" – 2.50"	
2.50" – 3.50"	
3.50" – 4.50"	
4.50" – 6.00"	

©2009 Donovan Marine, Inc. All Rights Reserved.

Product specifications and other information have either been provided by our Vendors or collected from publicly available sources. While Donovan Marine, Inc. makes every effort to ensure that the information contained in this document is accurate, we can make no representations or warranties as to the accuracy or reliability of any information provided. Donovan Marine, Inc. makes no warranties or representations whatsoever with regard to any product provided or offered by any Vendor, and you acknowledge that any reliance on representations and warranties provided by any Vendor shall be at your own risk.