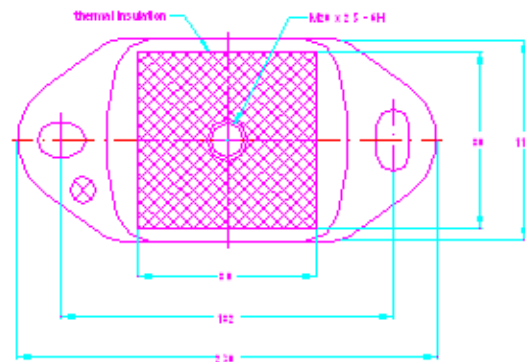
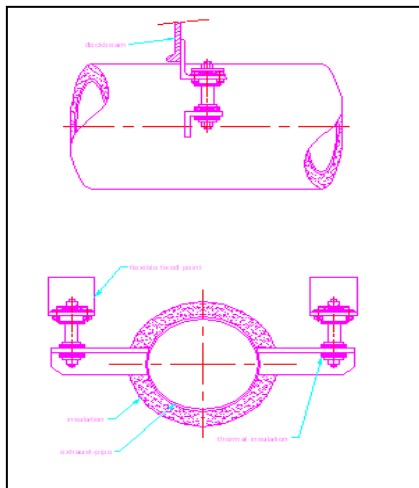
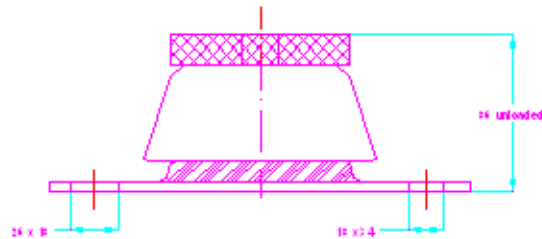


VCE Isoflex Exhaust-Piping Hanger Support Systems

NVT offers complete ship-set piping and hanger support systems for hot exhaust, ducting and piping.

TYPE FLEX. FIXED POINT 20-FFP-3-....



Typenr.	Rubberhardness	Max. Load	Deflection
20-FFP-3-45	45 shore	3750 N	6 mm
20-FFP-3-55	55 shore	6000 N	6 mm
20-FFP-3-65	65 shore	7000 N	5.5 mm
20-FFP-3-75	75 shore	10500 N	5 mm

rubberhantre 22

©2009 Donovan Marine, Inc. All Rights Reserved.

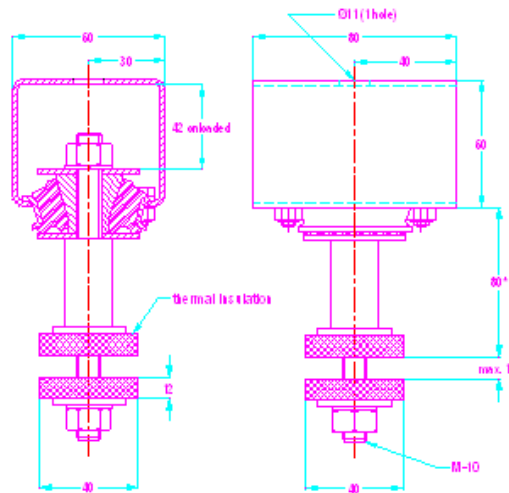
Product specifications and other information have either been provided by our Vendors or collected from publicly available sources. While Donovan Marine, Inc. makes every effort to ensure that the information contained in this document is accurate, we can make no representations or warranties as to the accuracy or reliability of any information provided. Donovan Marine, Inc. makes no warranties or representations whatsoever with regard to any product provided or offered by any Vendor, and you acknowledge that any reliance on representations and warranties provided by any Vendor shall be at your own risk.



VCE Isoflex Exhaust-Piping Hanger Support Systems

NVT offers complete ship-set piping and hanger support systems for hot exhaust, ducting and piping.

TYPE FLEX. FIXED POINT 20-HPA-1-....



Typenr.	Rubberhardness	Max. Load	Deflection
20-HPA-1-45	45 shore	500 N	3.5 mm
20-HPA-1-60	60 shore	700 N	3.5 mm
20-HPA-1-70	70 shore	1050 N	3.5 mm

* equal side lengths, longer not on request

©2009 Donovan Marine, Inc. All Rights Reserved.

Product specifications and other information have either been provided by our Vendors or collected from publicly available sources. While Donovan Marine, Inc. makes every effort to ensure that the information contained in this document is accurate, we can make no representations or warranties as to the accuracy or reliability of any information provided. Donovan Marine, Inc. makes no warranties or representations whatsoever with regard to any product provided or offered by any Vendor, and you acknowledge that any reliance on representations and warranties provided by any Vendor shall be at your own risk.