

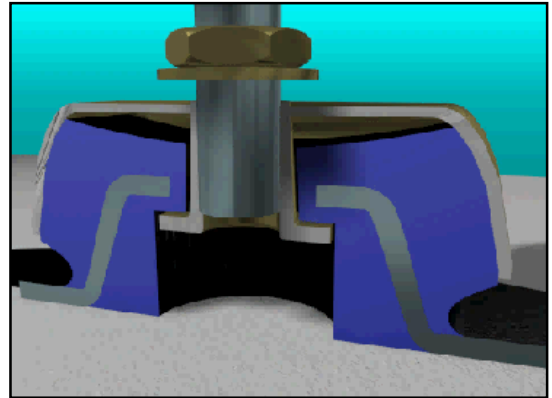


VCE IM IsoFlex Mountings

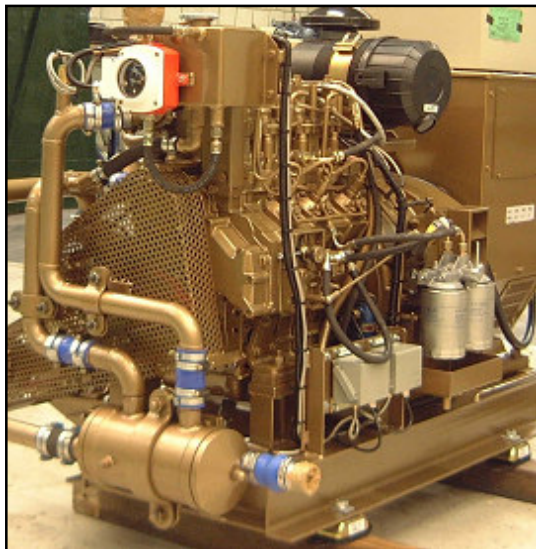
Rectangular Type isolators for thrust mounting of Main Engines, Generator Sets, Pumps and Compressors



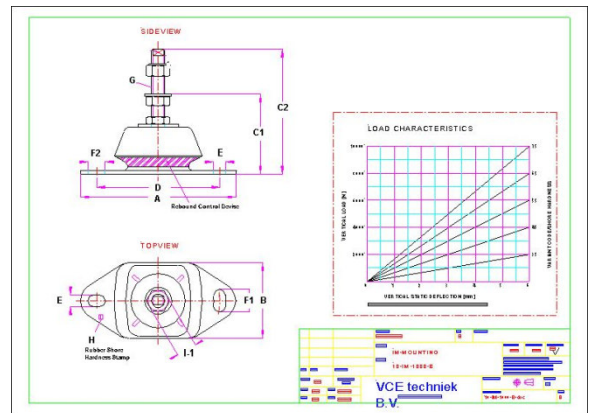
Assorted IM Series mount sizes



Cross section of IM Series mount



IM Series mounts in place



Complete Engineering Drawings Available for All Mounts and Configurations

©2009 Donovan Marine, Inc. All Rights Reserved.

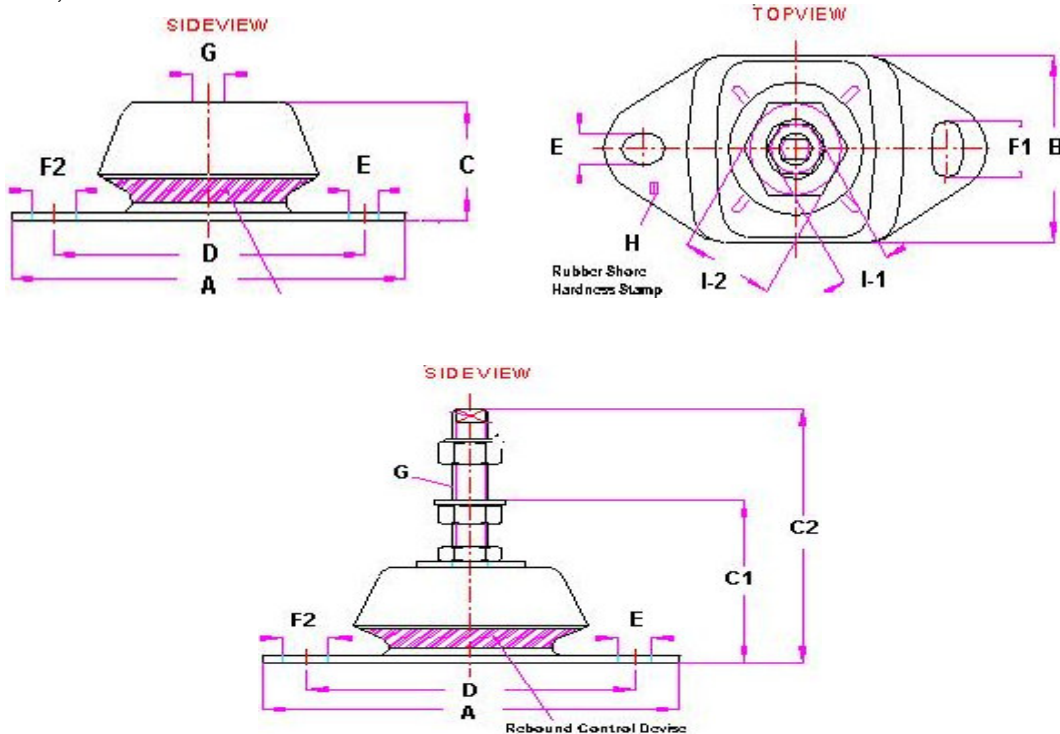
Product specifications and other information have either been provided by our Vendors or collected from publicly available sources. While Donovan Marine, Inc. makes every effort to ensure that the information contained in this document is accurate, we can make no representations or warranties as to the accuracy or reliability of any information provided. Donovan Marine, Inc. makes no warranties or representations whatsoever with regard to any product provided or offered by any Vendor, and you acknowledge that any reliance on representations and warranties provided by any Vendor shall be at your own risk.



VCE IM IsoFlex Mountings

Designed and sized as direct drop in replacements for many OEM mountings, the **VCE IM** series offers several improvements in design and construction. The top plate is embossed to provide added plate stiffness. An oversized top washer and added rebound control, provides superior isolation and longer lifespan. **VCE** rubber design provides greater longitudinal and transverse isolation under all loads. **VCE IM** mounts are available in a wide range of rubber hardness and can be supplied with either standard or fine tune height adjustment lifters.

** **VCE techniek** Isoflex have available adjustment studs to configure as direct replacement mountings for Yanmar, MAN, Volvo, JohnDeere, Caterpillar, CumminsMercuriser, Steyr, Lugger, Westerbeke, Perkins, Vetus, Nanni, Isuzu and more...



** Stud Sizes Vary Per Application – Max Diameter Shown

Series Type	A	B	C	C1 (min)	C2	D	E	F1	F2	G**	H (Shore)	Static Load (Kg)
10-IM-100	120	60	26	58	114	100	11	14	14	M16	40-65	20-100
10-IM-350	183	75	50	78	140	140	13	30	20	M24	35-75	50-350
10-IM-600	183	95	50	78	140	140	13	30	20	M24	35-75	100-600
10-IM-1000	230	112	70	105	185	182	18	34	26	M24	35-75	200-1000

©2009 Donovan Marine, Inc. All Rights Reserved.

Product specifications and other information have either been provided by our Vendors or collected from publicly available sources. While Donovan Marine, Inc. makes every effort to ensure that the information contained in this document is accurate, we can make no representations or warranties as to the accuracy or reliability of any information provided. Donovan Marine, Inc. makes no warranties or representations whatsoever with regard to any product provided or offered by any Vendor, and you acknowledge that any reliance on representations and warranties provided by any Vendor shall be at your own risk.