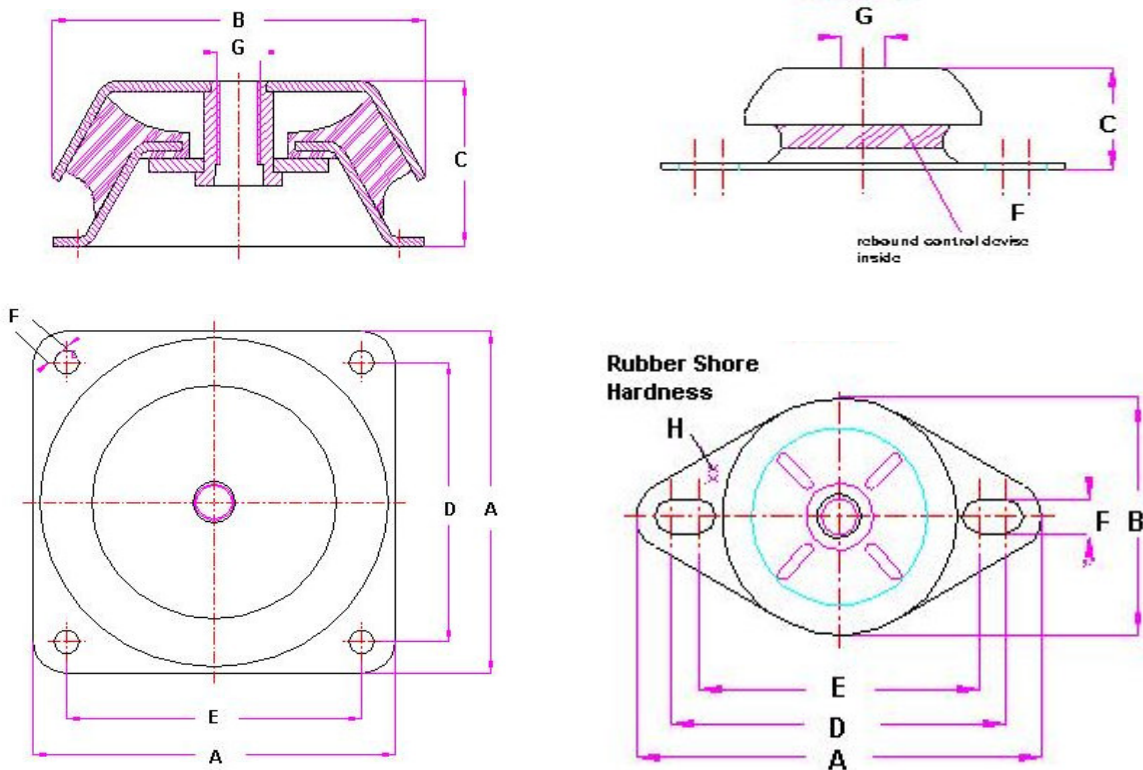






## VCEGM IsoFlex Mountings

**VCE GM** series mounts are the right choice for “soft-mounting” generator sets and other static loaded machinery for maximum isolation. **VCE GM** mounts are also used for NON THRUST BEARING marine propulsion engine installations in combination with a thrust block and flexible coupling. **VCE GM** mounts are designed and sized as direct drop in replacements for other OEM mountings. **VCE GM** mounts are available in a wide range of rubber hardness and can be supplied with either standard or fine tune height adjustment ladders.



Series Type	A	B	C	D	E	F	G	H (Shore)	Static Load (Kg)
10-GM-250	110	64	33	91	76	09	M08	35-60	20-250
10-GM-500	175	110	42	148	140	14	M16	40-70	50-500
10-GM-1000	216	155	54	186	178	14	M16	40-70	300-1000
10-GM-3200	192	192	66	149	163	14	M20	45-75	750-3200
10-GM-4800	220	224	106	180	180	17.5	M24	45-75	1000-4800
10-GM-6000	220	224	106	180	180	17.5	M24	45-75	1000-6000

©2009 Donovan Marine, Inc. All Rights Reserved.

*Product specifications and other information have either been provided by our Vendors or collected from publicly available sources. While Donovan Marine, Inc. makes every effort to ensure that the information contained in this document is accurate, we can make no representations or warranties as to the accuracy or reliability of any information provided. Donovan Marine, Inc. makes no warranties or representations whatsoever with regard to any product provided or offered by any Vendor, and you acknowledge that any reliance on representations and warranties provided by any Vendor shall be at your own risk.*