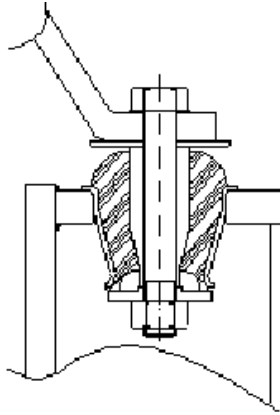




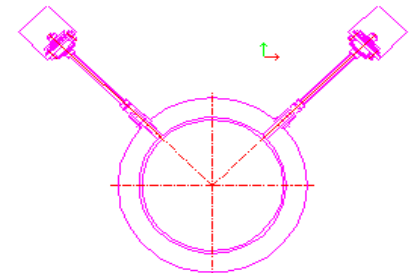
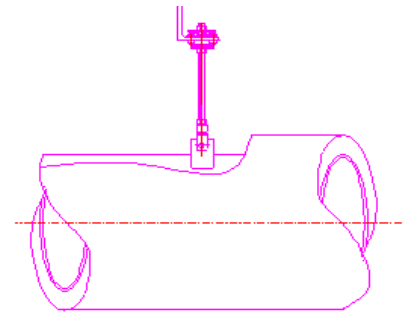
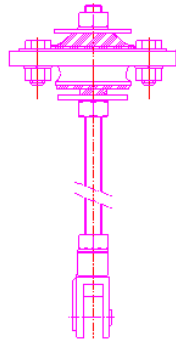
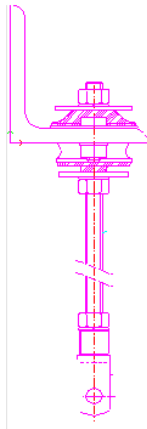
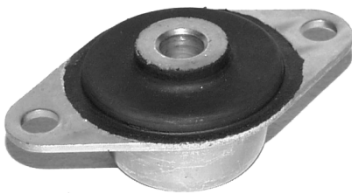
VCE CM IsoFlex Mountings



Low-Profile Machinery Mounting



VCE CM Pipe Hangers



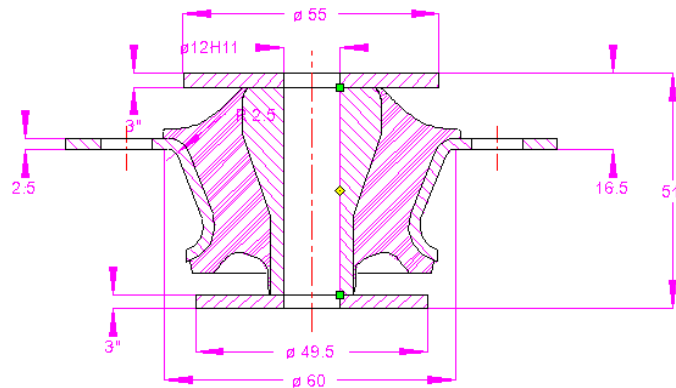
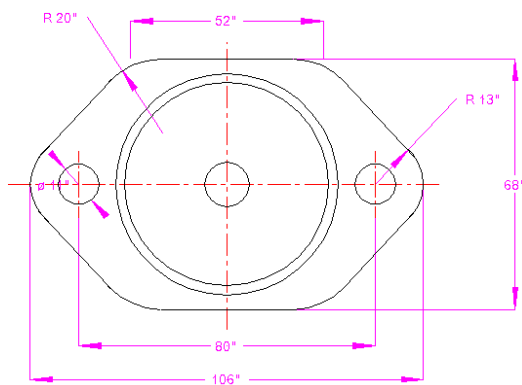
©2009 Donovan Marine, Inc. All Rights Reserved.

Product specifications and other information have either been provided by our Vendors or collected from publicly available sources. While Donovan Marine, Inc. makes every effort to ensure that the information contained in this document is accurate, we can make no representations or warranties as to the accuracy or reliability of any information provided. Donovan Marine, Inc. makes no warranties or representations whatsoever with regard to any product provided or offered by any Vendor, and you acknowledge that any reliance on representations and warranties provided by any Vendor shall be at your own risk.



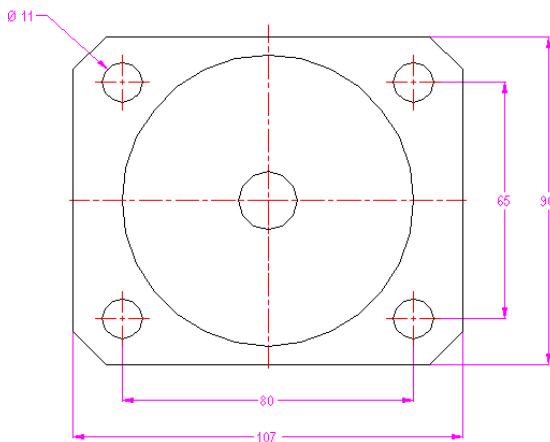
VCE - CM series mounts

VCE CM mountings combine relative high deflection with large horizontal stiffness. Suitable for both thrust and static soft mounted propulsion engines, gensets and floating compartment mounting. The low profile protrusion allows the main body of the mount to be recessed into base structure and reduce overall machinery height.

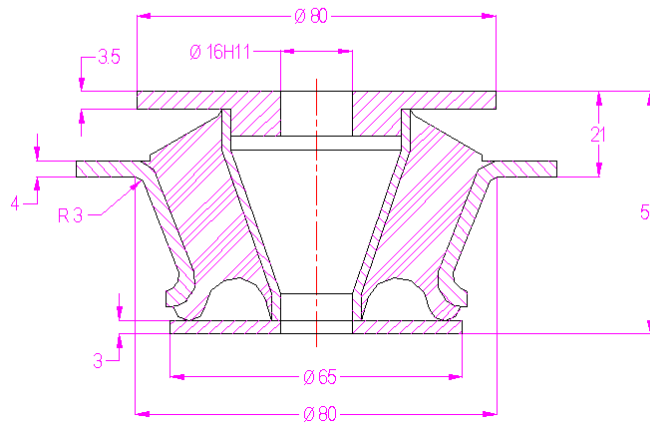


10-CM-300-A IsoFlex Mount

TOPVIEW



CROSS-SECTION



10-CM-500-A IsoFlex Mount

©2009 Donovan Marine, Inc. All Rights Reserved.

Product specifications and other information have either been provided by our Vendors or collected from publicly available sources. While Donovan Marine, Inc. makes every effort to ensure that the information contained in this document is accurate, we can make no representations or warranties as to the accuracy or reliability of any information provided. Donovan Marine, Inc. makes no warranties or representations whatsoever with regard to any product provided or offered by any Vendor, and you acknowledge that any reliance on representations and warranties provided by any Vendor shall be at your own risk.